

Chains for Water Treatment Systems

Chains for Sludge Collectors

SAV type Stainless Chains

SAV type stainless steel chains were improved from the stainless steel HSS type for settlement tank impelling. They use saver-type sprockets, so they have a longer lifespan with reduced weight, making them very economical (SUS403).

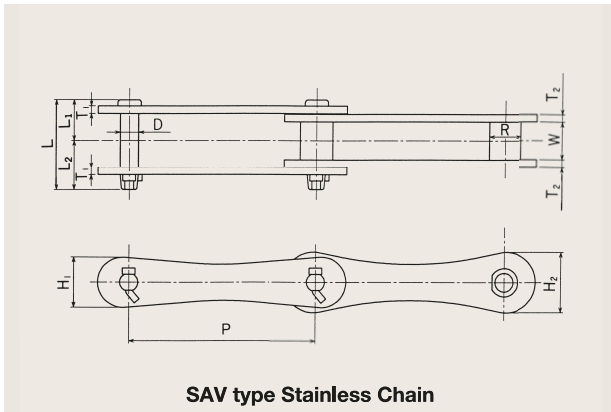
They are compatible with HSS type stainless steel chains (except SAV709).

For customers who wish to change to stainless steel chains because of rapid extension and wear on the plastic chains they are using, we recommend SAV709 (SUS403). The chain can simply be replaced, without changing the current sprockets.

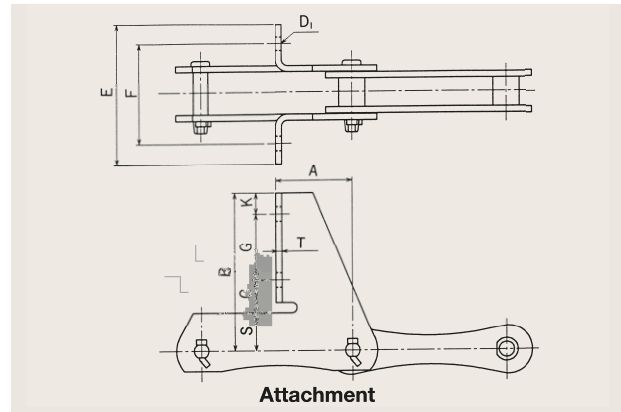
For use in highly corrosive water, we recommend SAV713 (SUS304).



Chain Saver Mechanism



SAV type Stainless Chain



Attachment

SAV type Stainless Chains

Chain No.	Pitch P	Bush Dia. R	Inner Width W	Pin			Pin Link		Bush Link		Average Tensile Strength		Assured Tensile Strength		Mass (kg/m)	
				Dia. D	Length		Height H ₁	Thickness T ₁	Height H ₂	Thickness T ₂	(kN)	(kgf)	(kN)	(kgf)		
					L	L ₁										L ₂
SAV709	148.4	22.4	32	11.5	66	29.8	36.2	31	5	37	5	83.4	8500	74.5	7700	3.3
SAV713	152.4	26	30	14.5	72	32	40	40	6	48	6	127	13000	114	11700	5.1
SAV715	152.4	26	30	14.5	72	32.5	39.5	40	6	48	6	147	15000	129	13200	5.1

(mm)

Chain No.	Pitch P	Bush Dia. R	Inner Width W	Pin			Pin Link		Bush Link		Average Tensile Strength		Assured Tensile Strength		Mass (lbs/ft)
				Dia. D	Length		Height H ₁	Thickness T ₁	Height H ₂	Thickness T ₂	(lbs)	(lbs)	(lbs)	(lbs)	
					L	L ₁									
SAV709	5.843	0.882	1.26	0.453	2.6	1.17	1.43	1.22	0.197	1.46	0.197	19000	17000	2.2	
SAV713	6.000	1.024	1.181	0.57	2.835	1.26	1.575	1.575	0.236	1.89	0.236	28700	25800	3.4	
SAV715	6.000	1.024	1.181	0.57	2.835	1.28	1.555	1.575	0.236	1.89	0.236	33000	29000	3.4	

(in)

Attachments

Chain No.	Dimensions (mm)											Added Mass per Attachment (kg)
	A	B	C	D ₁	E	F	G	K	S	T		
F228	76	200	38.1	11	140	95.3	114.3	25.1	22.5	6	1.6	
F226	76	155	38.1	11	140	95.3	66.7	27.7	22.5	6	1.2	
F228(SAV709)	74	210	41.6	11.1	140	95.3	114.3	28.7	25.4	5	1.5	

(in)

Chain No.	Dimensions (in)											Added Mass per Attachment (lbs)
	A	B	C	D ₁	E	F	G	K	S	T		
F228	2.992	7.874	1.5	0.433	5.512	3.752	4.5	0.988	0.886	0.236	3.5	
F226	2.992	6.102	1.5	0.433	5.512	3.752	2.626	1.09	0.886	0.236	2.6	
F228(SAV709)	2.913	8.268	1.638	0.437	5.512	3.752	4.5	1.13	1	0.197	3.3	

Note

Pay close attention to the attachment dimensions when changing from pintle chain to stainless steel chain.